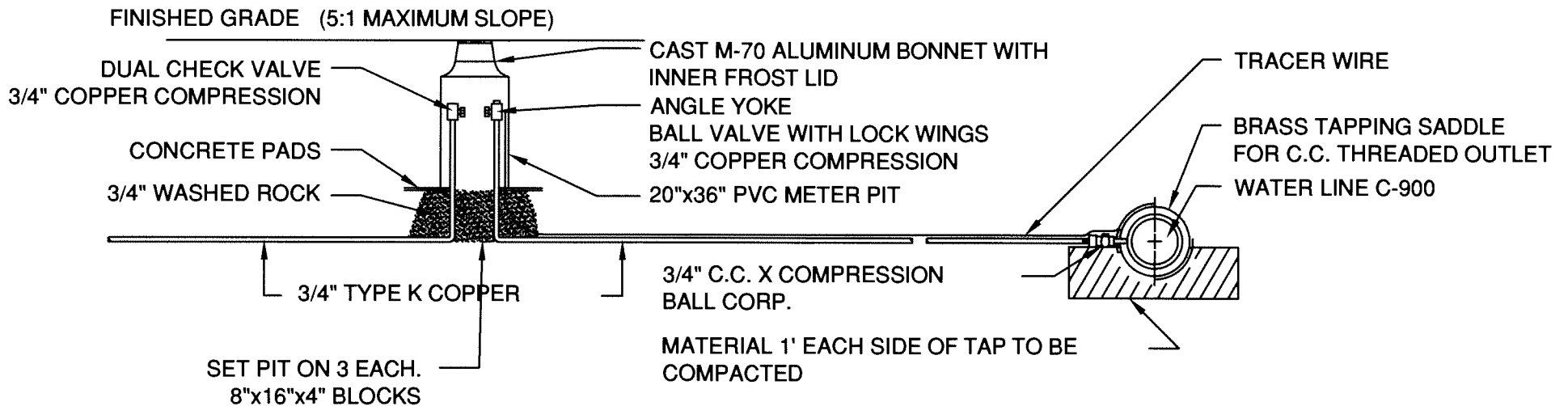


TRI-COUNTY WATER CONSTRUCTION STANDARDS



DOMESTIC SERVICE DETAIL
(UNDER ASPHALT)

WRAP VALVE WITH
4 MIL. PLASTIC

SLIP TYPE VALVE BOX
ADJUSTED TO 1/2" BELOW
FINISHED GRADE

TRACER WIRE

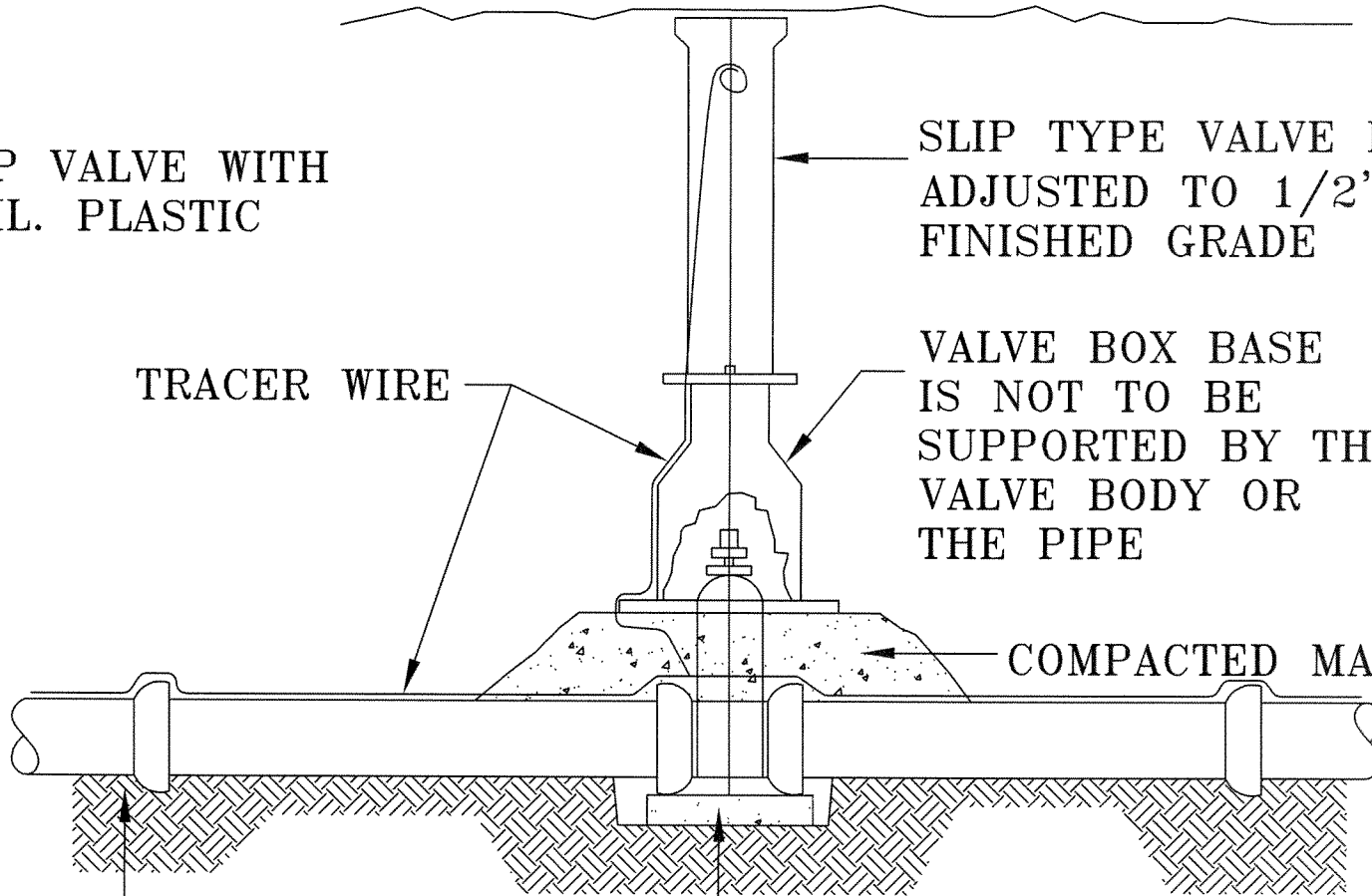
VALVE BOX BASE
IS NOT TO BE
SUPPORTED BY THE
VALVE BODY OR
THE PIPE

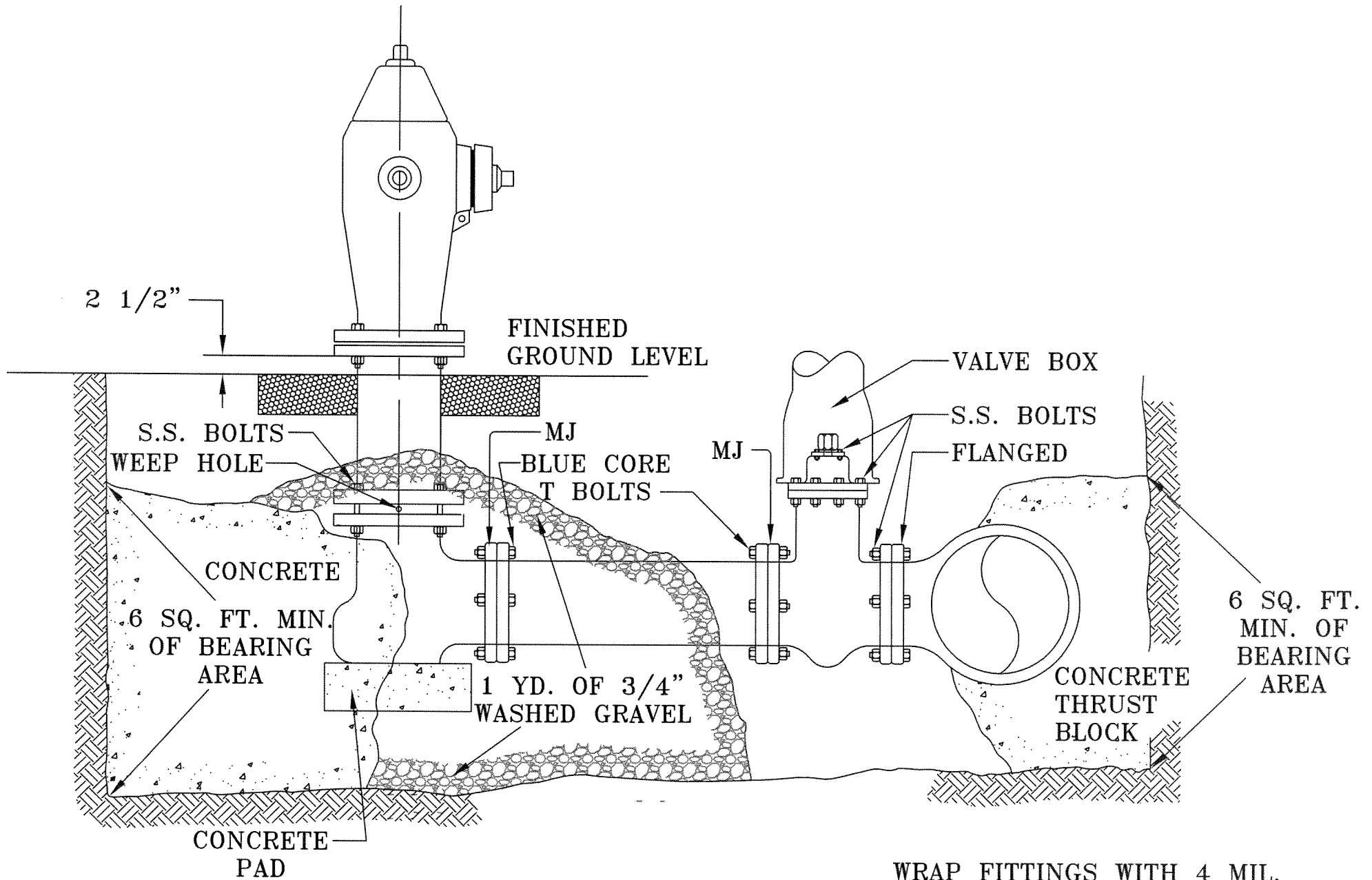
COMPACTED MATERIAL

BELL HOLE

BEARING SURFACE
CONCRETE BLOCK
MIN. 18"x18"x4"

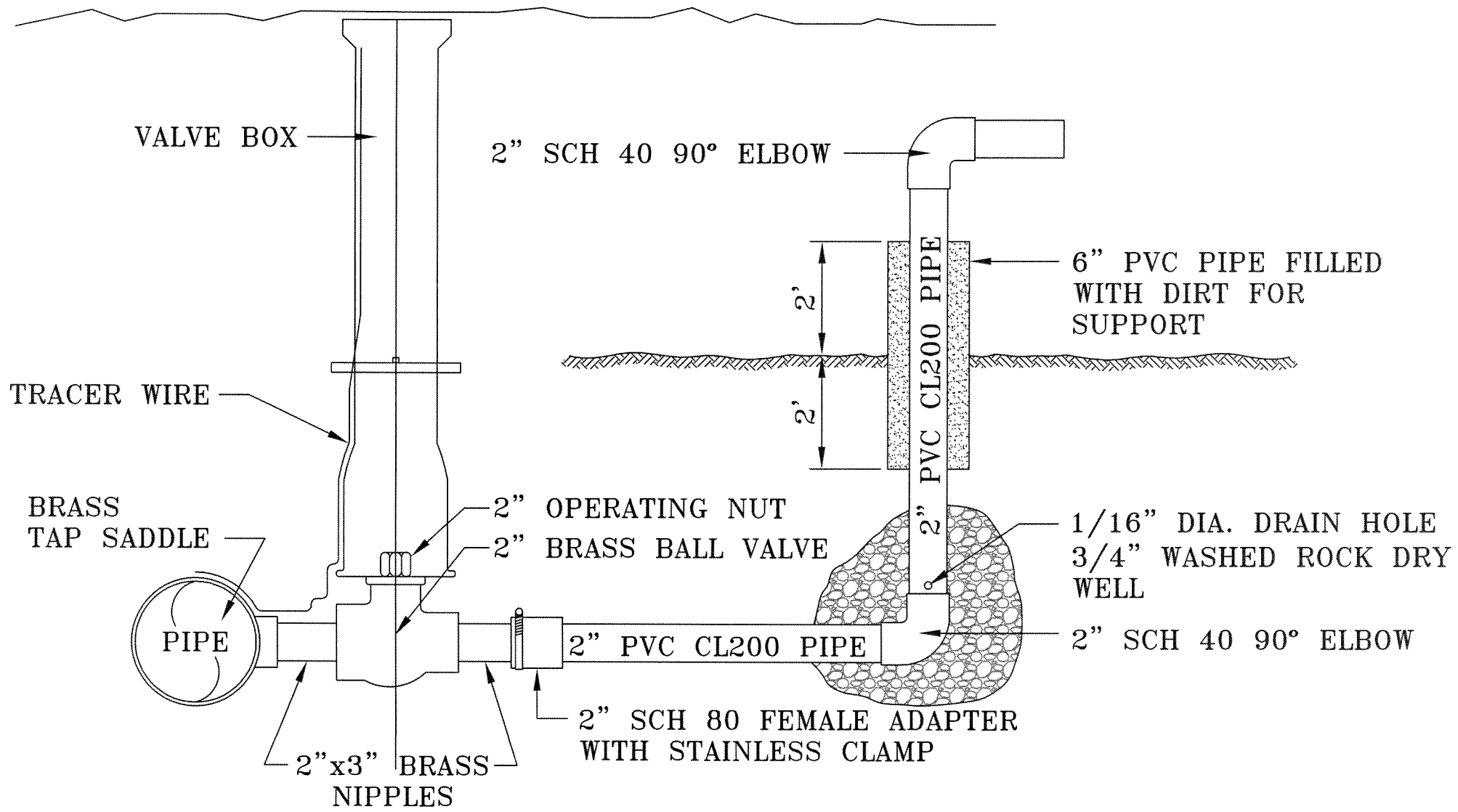
INLINE VALVE AND VALVE BOX



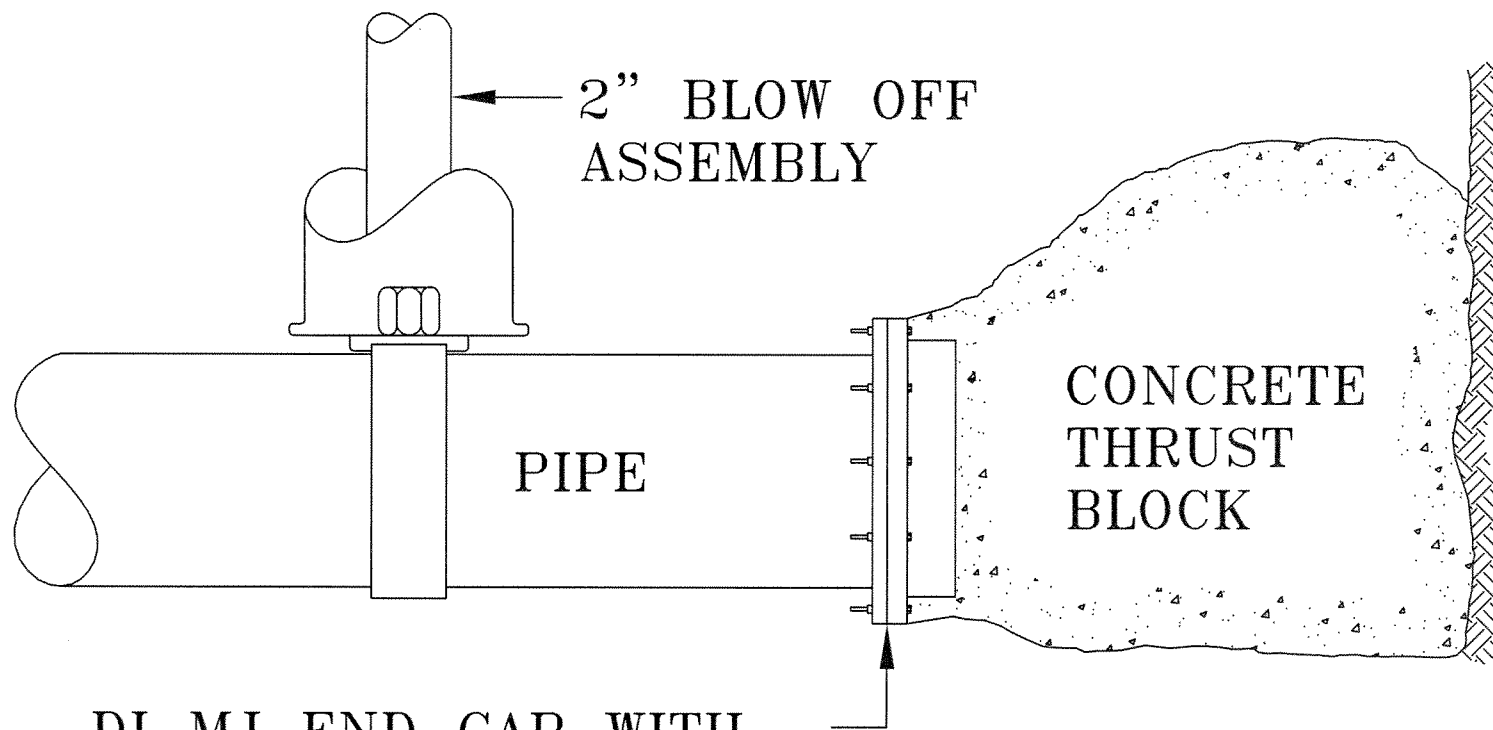


WRAP FITTINGS WITH 4 MIL. PLASTIC, KEEP WEEP HOLES CLEAR OF CONCRETE

TYPICAL
FIRE HYDRANT INSTALLATION



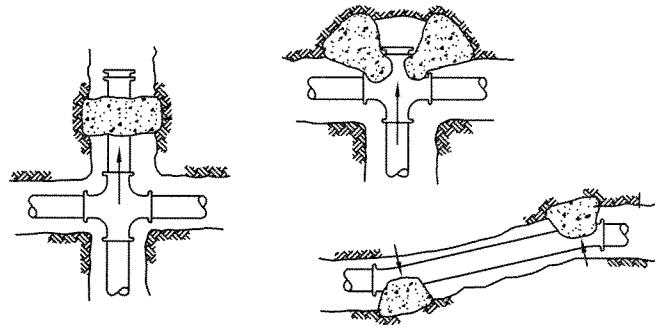
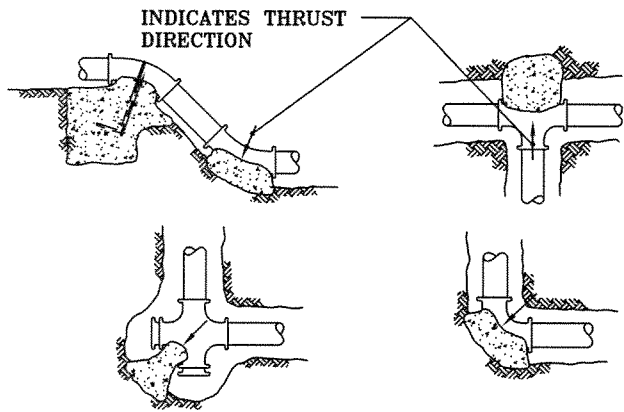
TYPICAL BLOW OFF



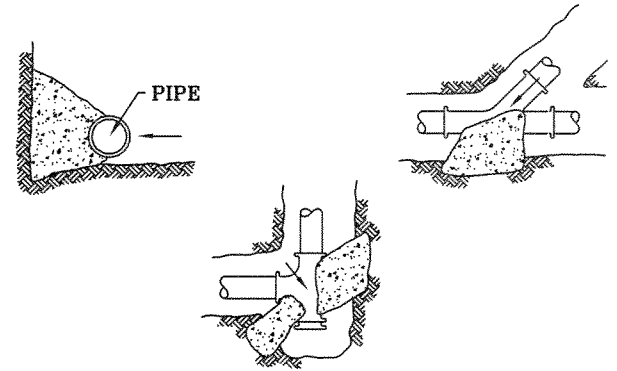
DI MJ END CAP WITH
TRANSITION GASKET AND
CORE BLUE BOLTS.

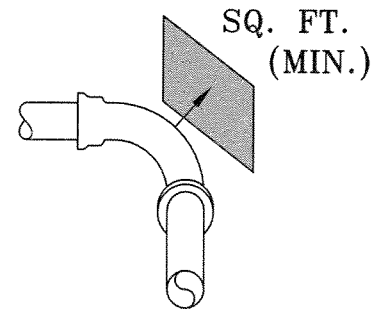
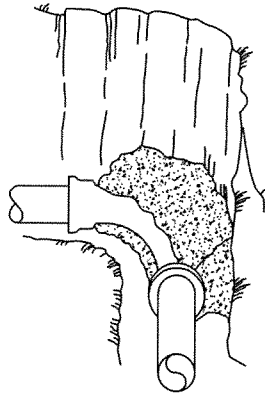
ALL DI AND CI FITTINGS ARE
TO BE WRAPPED WITH 4 MIL.
PLASTIC

TYPICAL END CAP



TYPICAL
THRUST BLOCK SETTING





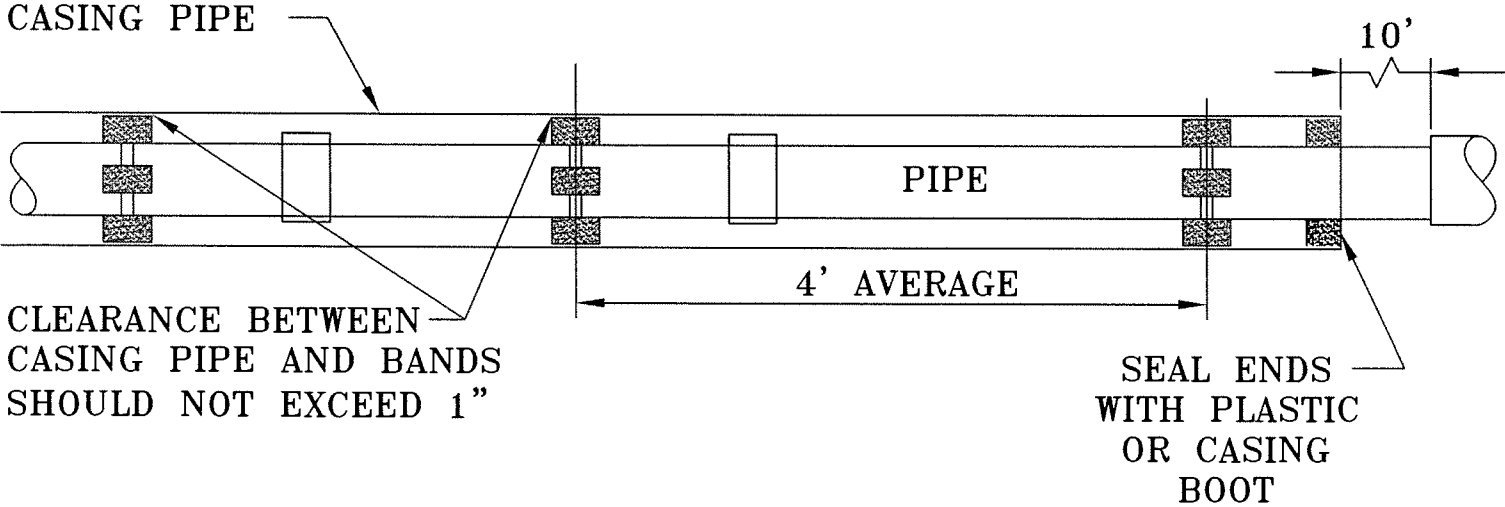
PIPE SIZE	PSI	SQ. FT.
6	150	3.5
8	150	5.5
10	150	9.0
12	150	13.0

PIPE SIZE	PSI	SQ. FT.
6	200	4.5
8	200	7.5
10	200	12.0
12	200	17.5

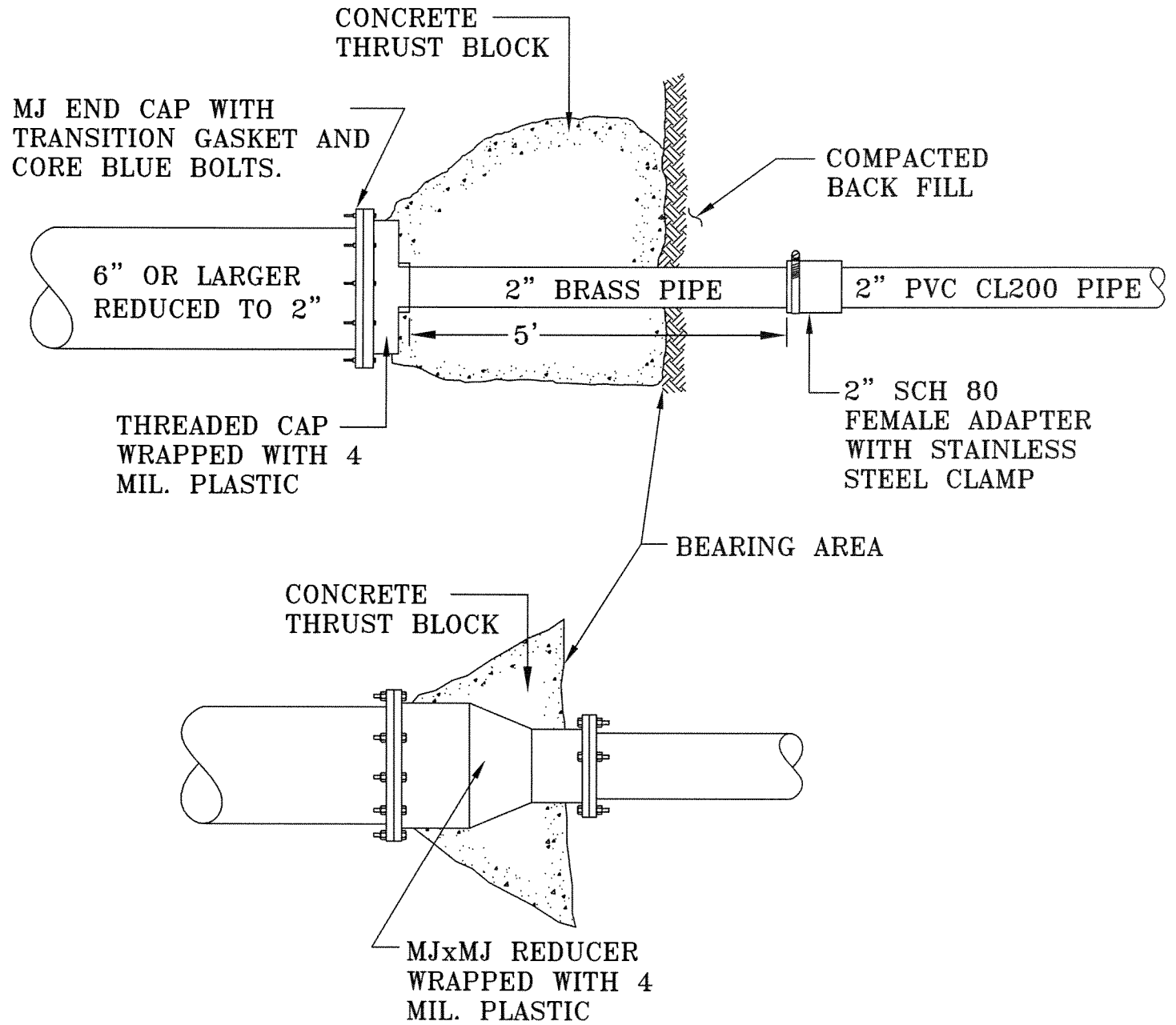
PIPE SIZE	PSI	SQ. FT.
6	250	5.5
8	250	9.5
10	250	15.5
12	250	22.0

A COMPARISON OF THRUST - BLOCK AREAS

MANUFACTURED BANDS ON 4' CENTERS. PIPE
WILL HAVE LOCKING COUPLINGS AND WILL
EXTEND 10' PAST BOTH ENDS OF CASING PIPE

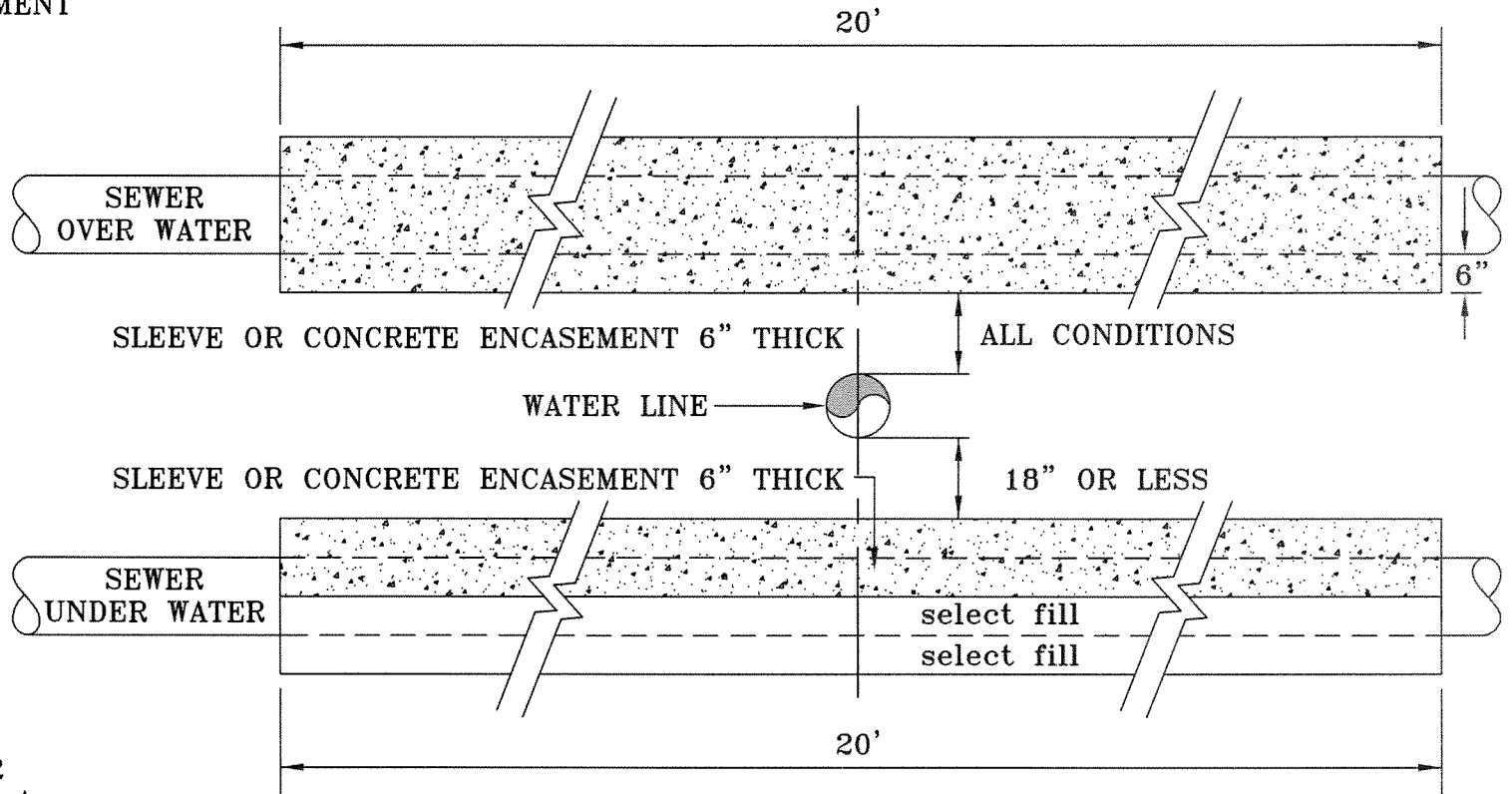
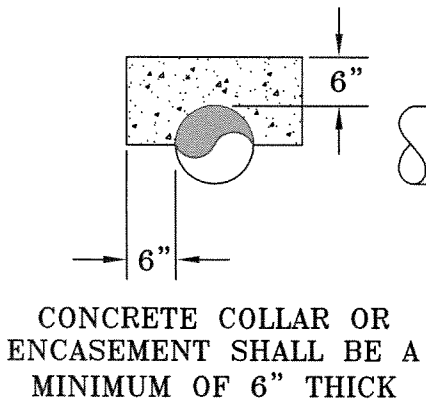
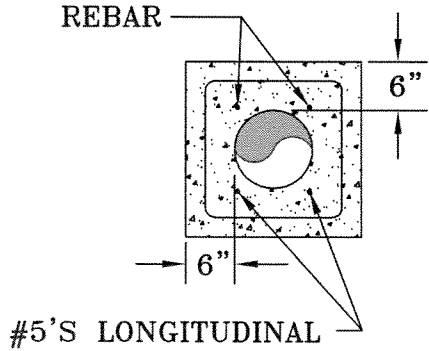


PIPELINE ENCASEMENT DETAIL
FOR 2" AND LARGER LINES

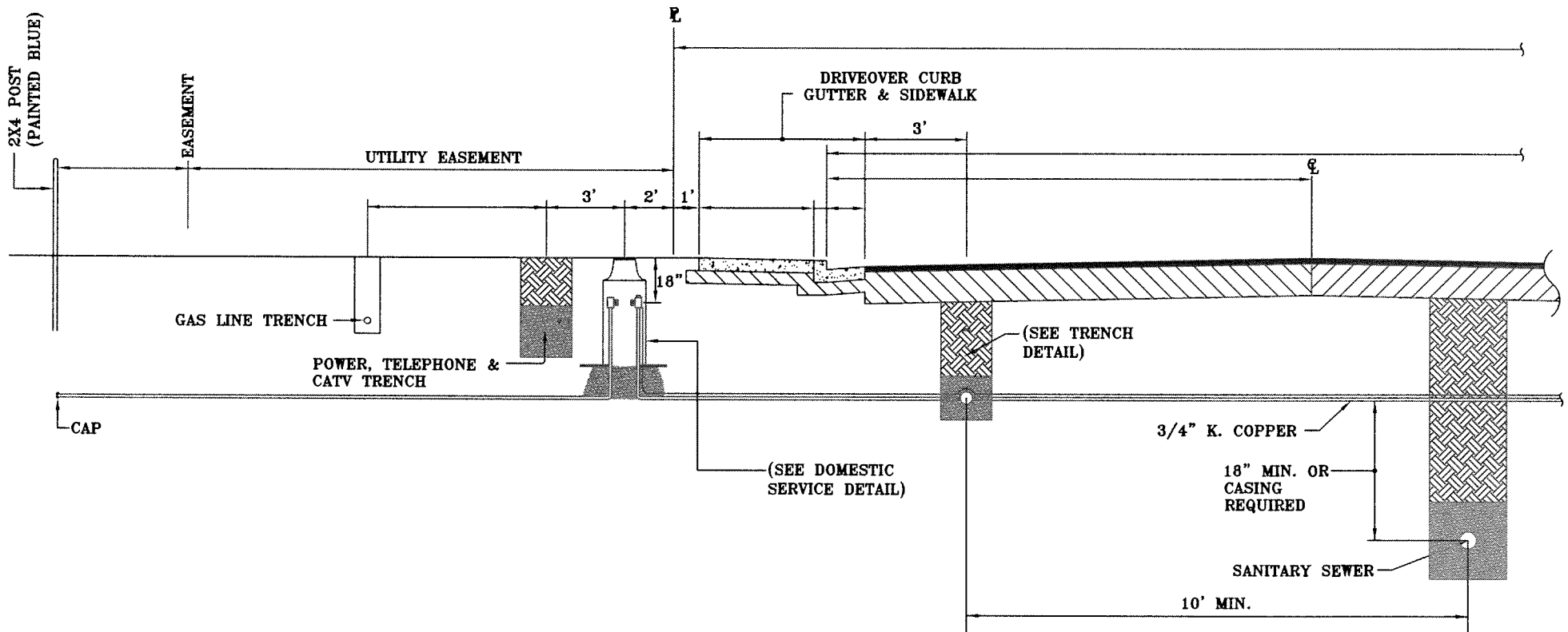


REDUCER DETAILS

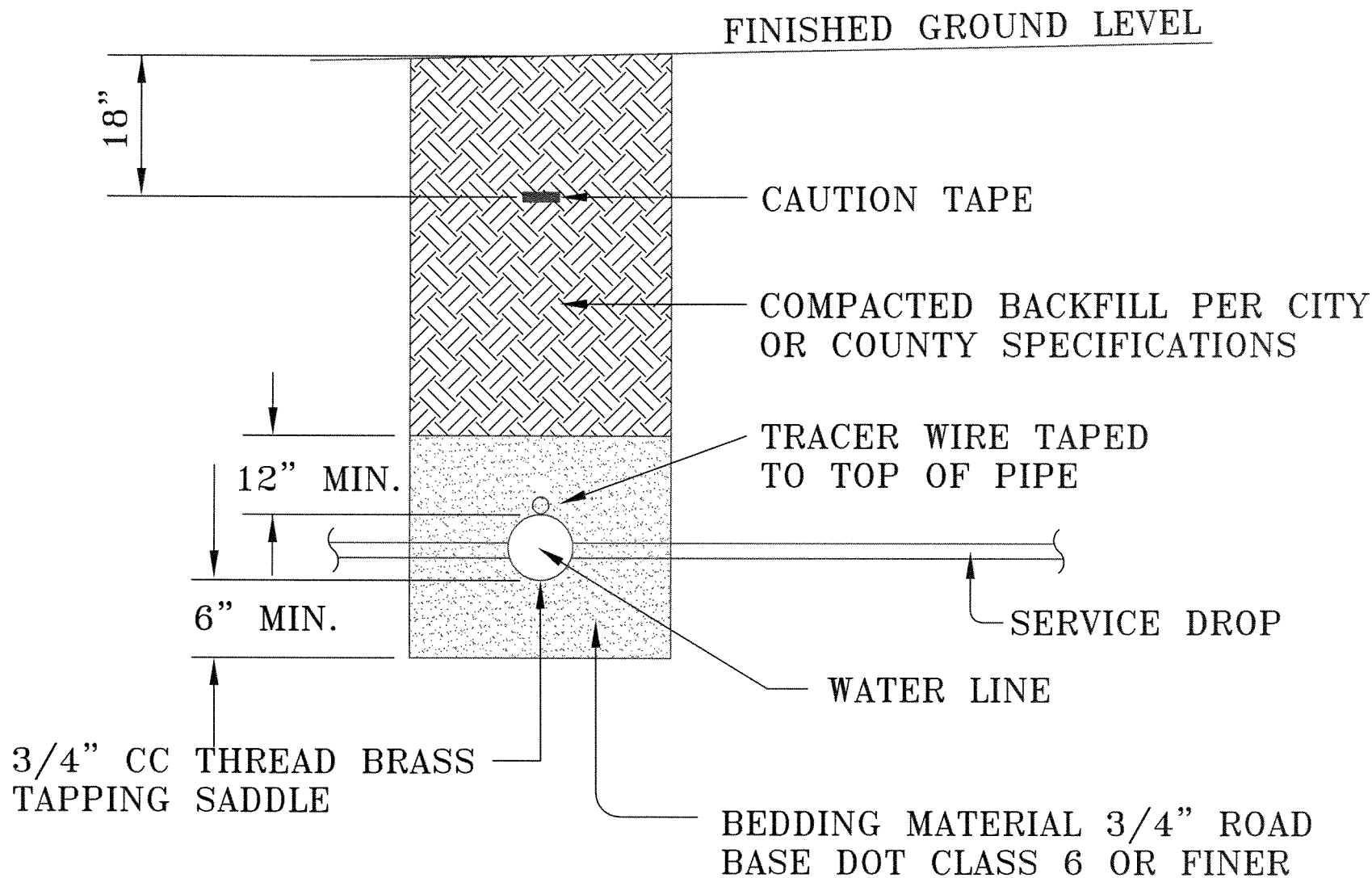
REINFORCING STEEL REQUIRED
FOR SEWER LINE ENCASEMENT
OVER WATER LINE



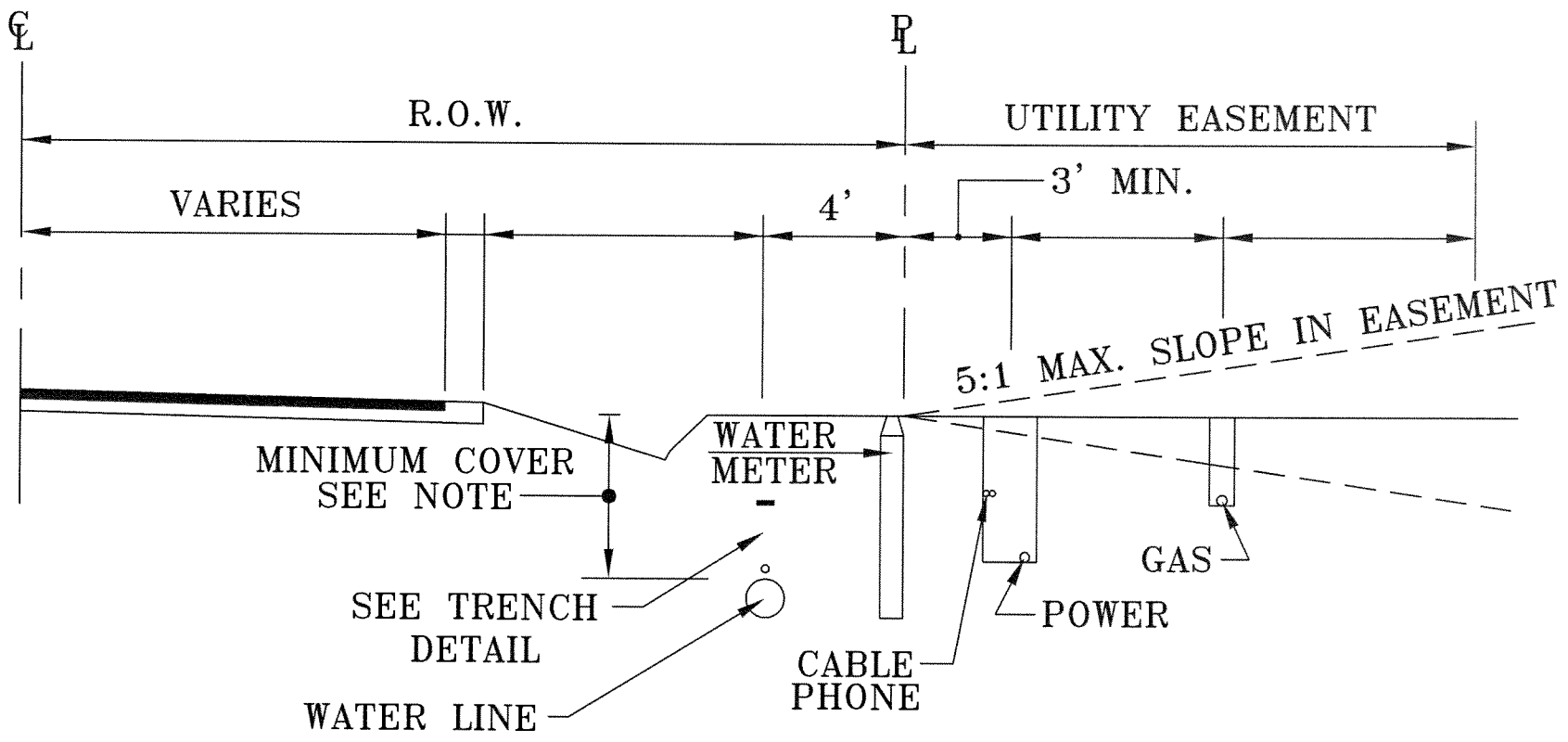
WATER AND SEWER LINE CROSSING



CURB AND GUTTER INTERIOR SUBDIVISION ROAD



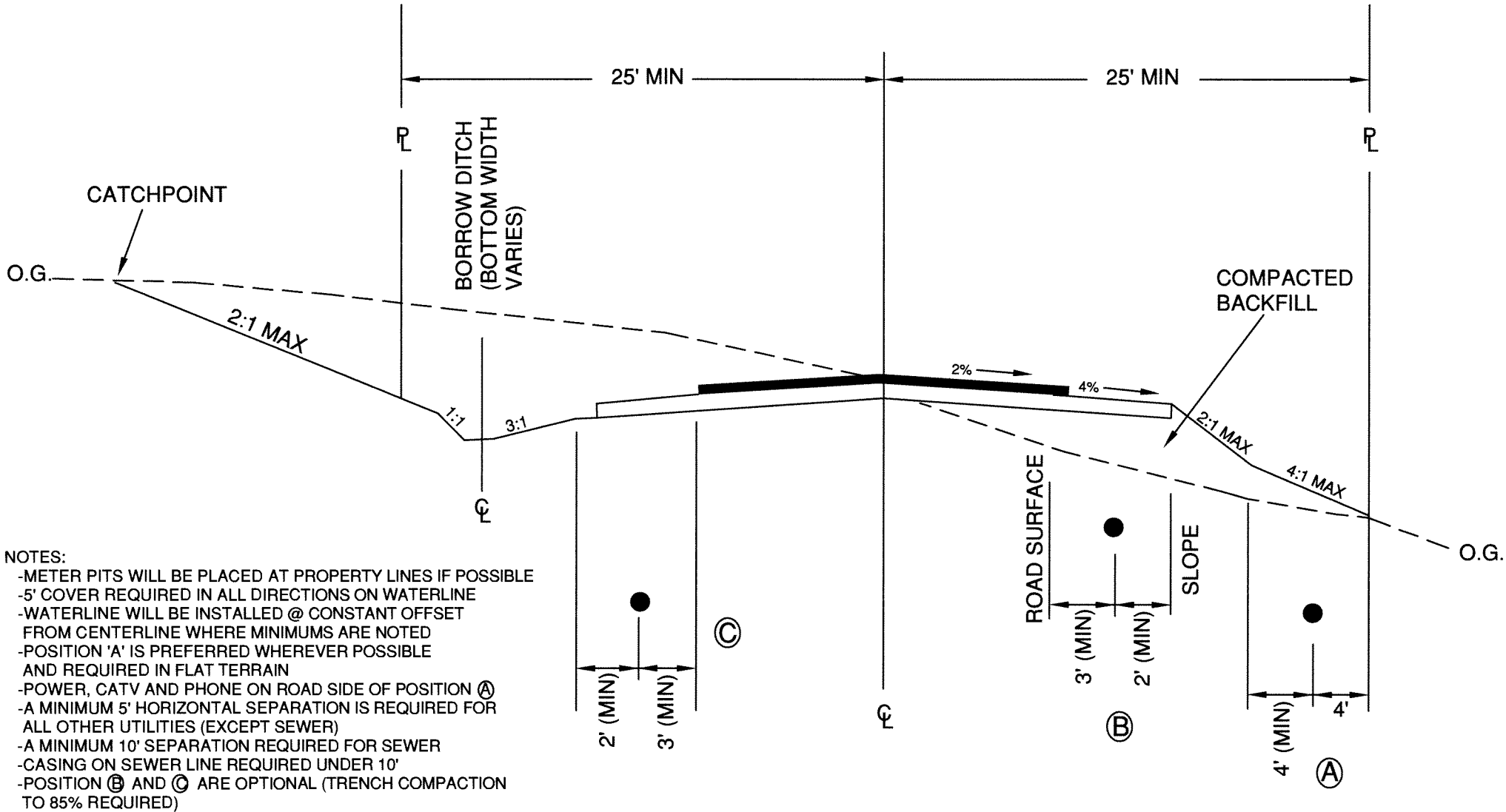
TRENCH DETAIL



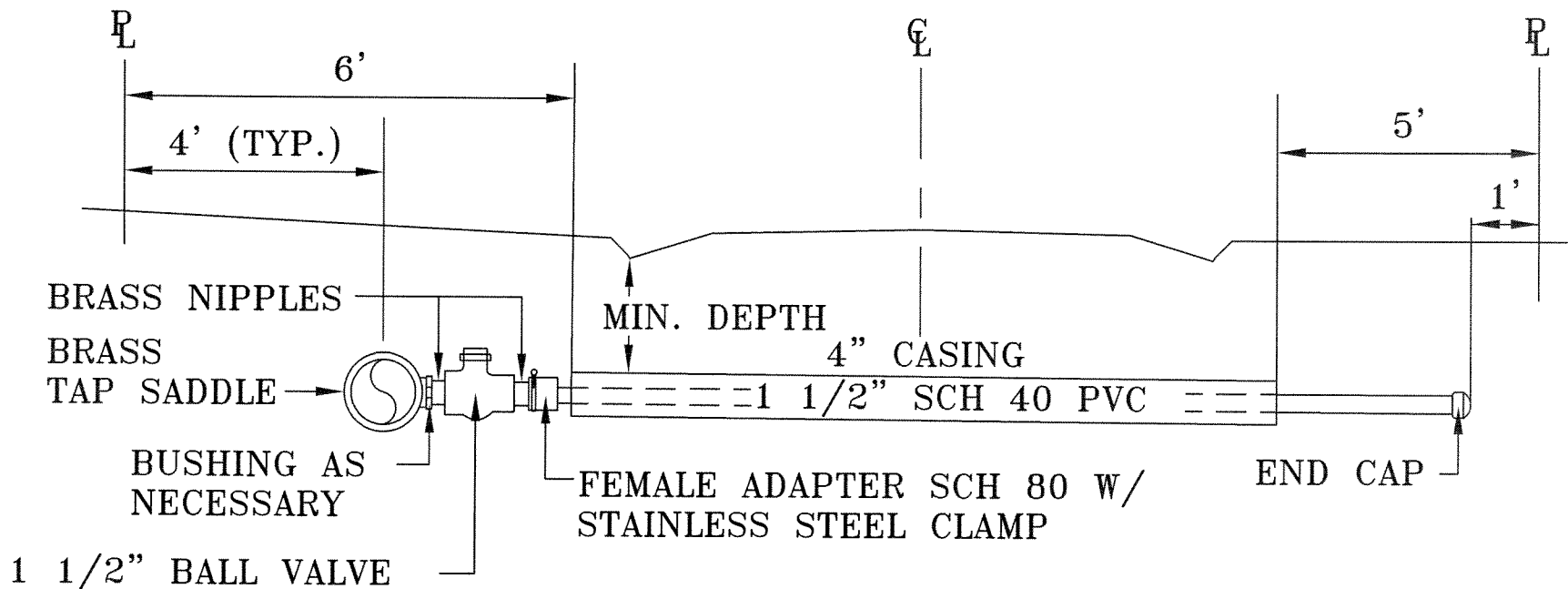
NOTE:
 MINIMUM COVER TOP OF WATER PIPE

DELTA COUNTY	48"
MONTROSE COUNTY	54"
OURAY COUNTY	60"

UTILITY LOCATION AND EASEMENT GUIDELINES
 FOR INTERIOR SUBDIVISION ROADS
 (NO CURB AND GUTTER)



UTILITY LOCATION GUIDELINES FOR INTERIOR SUBDIVISION ROADS IN OURAY COUNTY (TYPICAL)



TYPICAL COUNTY ROAD
 SERVICE CROSSING
 (2 METERS MAX.)